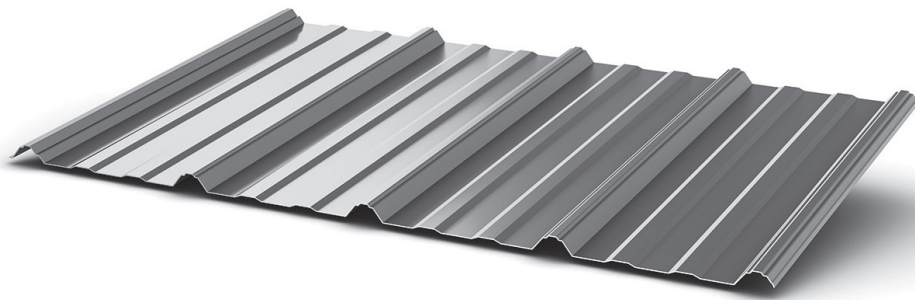




*Your Roof. For Life!
On Time and Complete!™*

MasterRib® Trim Guide





Your Roof. For Life!
On Time and Complete!™

Table Of Contents

MasterRib® Panel Details	2-3
Trim Selector	4
Trims	
Drip/ Eave Edges	5-6
Rake / Rake and Corner.....	6-7
Inside Corner.....	7
Endwall.....	7-8
Transition.....	8
Gambrel.....	8-9
Ridge / Hip.....	9-10
Sidewall	10
Fascia.....	11
One Piece Fascia / Soffit.....	12
Double Angle	12
W-Valley	12
F and J	13
J Channel	13
Drip Cap	14
Jamb Trim.....	14
Base Angle / Angle	14
Peak	15
Door Track Cover	15
Counter Flashing.....	15
Overhead Door Trim.....	15
Reglet.....	16
Cleat.....	16
Snow Rail	16
Accessories	17
Cannonball Items	18

Panel Details



Your Roof. For Life!
On Time and Complete!™

MasterRib®

MasterRib® is our most popular metal roofing panel and is an industry leader in strength and durability. This versatile metal roofing panel features classic looks and is used in a wide range of roofing and sidewall applications, including residential, commercial, post-frame, and agricultural. MasterRib® was designed with extra-wide ribs to increase strength and ease handling and installation.

Specifications:

- Exposed fastener panel for roof and wall applications.
- 3:12 minimum roof pitch.
Suitable for solid deck or open framing.

Substrates and Coatings:

- 29 and 26 gauge high strength steel.
- Anti-Corrosion AZ50 Galvalume coating for painted and
- AZ55 for unpainted steel.
- 45-Year Industry Leading, Written Warranty on Painted Products with No Coastal Set Back. Ask your Union Sales Representative for additional warranty information.

Testing and Approvals:

UL 580 Class 90 Wind Uplift Construction #584

UL 790 Fire Resistance Class A

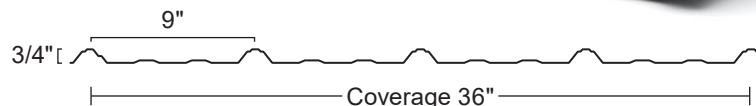
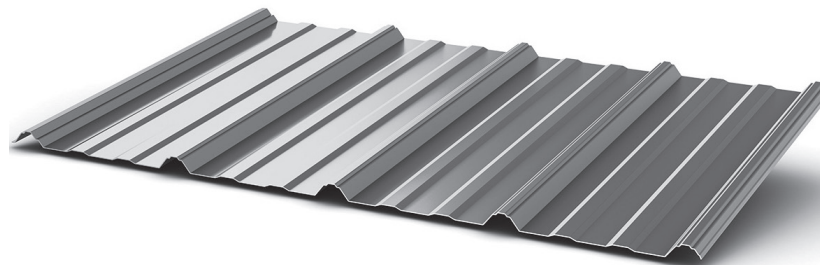
UL 2218 Impact Resistance Class 4

Texas Department of Insurance Approval #116

Miami-Dade County Approved, NOA Compliant

Florida Building Code Approved:

- FL20484.5-R2 - 29Ga, 80 ksi over min 7/16" OSB, 15/32" APA plywood, or min. 3/4" plank
- FL20484.6-R2 - 29Ga min, 80 ksi over min 15/32" APA plywood or 3/4" plank
- FL7271.5-R5 - 29Ga. min, 80 ksi over nom. 1" x 4" min lumber
- FL7271.6-R5 - 29Ga, 80 ksi over min 15/32" APA plywood or 3/4" plank
- FL7271.7-R5 - 26Ga, 80 ksi over min. 19/32" APA plywood or 3/4" plank
- FL9555.3-R5 - 26Ga, 80 ksi over min 16Ga., 50 ksi support
- FL9555.4-R5 - 29Ga min, 80 ksi over min 18Ga, 50 ksi supports
- FL9555.5-R5 - 29Ga, 80 ksi over nom 2" x 2" SPF, SYP, or DF lumber
- FL9555.6-R5- 29Ga, 80 ksi over nom. 1" x 4" lumber
- FL9557.3-R5 - 29Ga, 80 ksi over min 18Ga, 50 ksi supports
- FL9557.4-R5 - 29Ga, 80 ksi over nom. 2" x 2" SPF, SYP, or DF lumber



Panel Details

MasterRib®

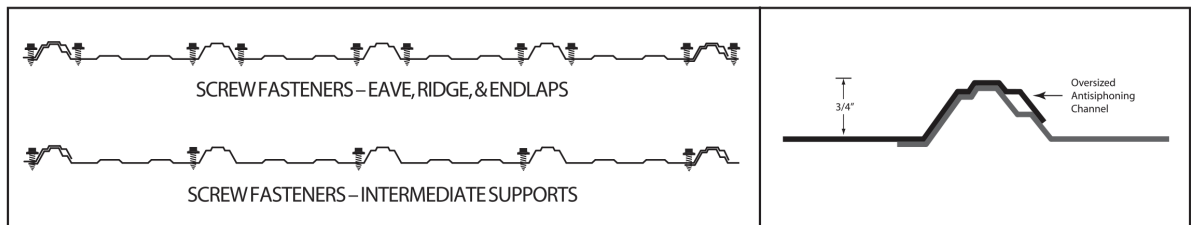
Allowable Uniforms Loads per Square Foot

Maximum purlin spacing for roof 2' on center and maximum girt spacing for sidewall 3' on center. Place fasteners in the pan of panel for best results. (Three spans or more)

SPAN (INCHES)	LIVE LOAD (lb/ft ²)						WIND LOAD (lb/ft ²)					
	18"	24"	30"	36"	48"	54"	18"	24"	30"	36"	48"	54"
29 Gauge	199	112	71	49	28	22	211	118	76	52	29	23
26 Gauge	268	150	96	67	37	29	276	155	99	69	38	30

Notes:

1. Theoretical allowable loads are based on section properties and allowables calculated in accordance with 2001 AISI Specifications.
2. Theoretical allowable loads are based on three or more uniform spans.
3. For roof panels, deduct self weight for actual 'live load' capacity of the panel.
4. These loads are for panel strength. Frames, purlins, decks and fasteners must be designed to resist all loads imposed on the panel.
5. Check local building codes if panel testing is required.



Storage

If the panels are not to be used immediately, store inside in a well ventilated and dry location. Condensation or moisture can form between the sheets during storage causing water stains or white rust which detract from the appearance of the product and may effect the product's useful life. Trapped moisture between sheets of painted metal can cause white rust to form underneath the paint. This can cause the paint to flake off of the panel immediately or several years later. To prevent white rust and staining, the following precautions should be taken:

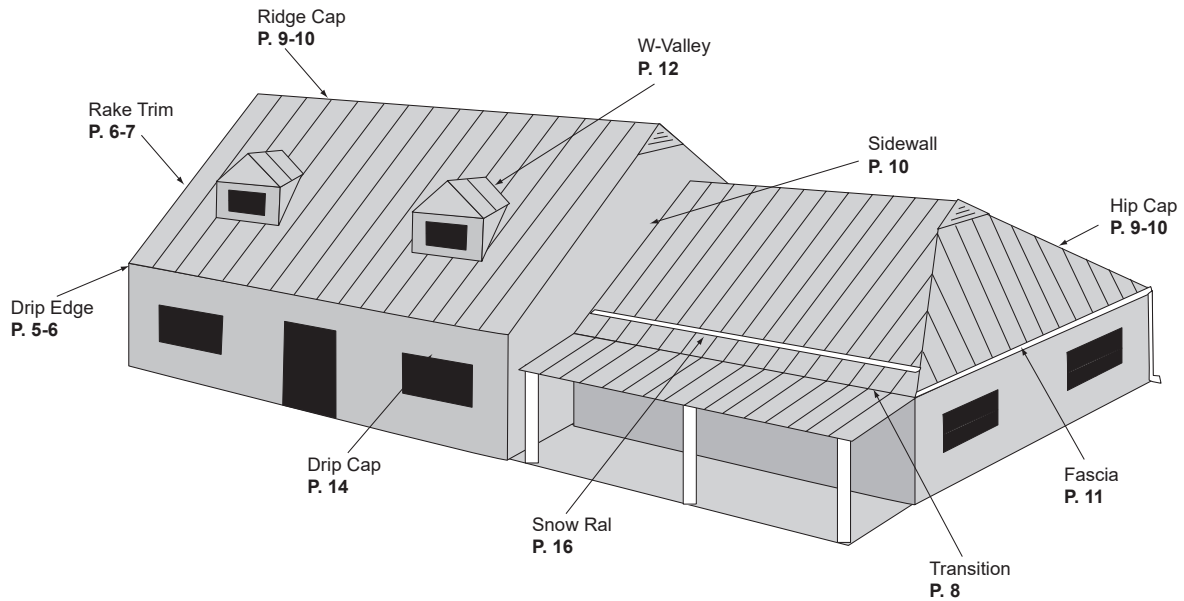
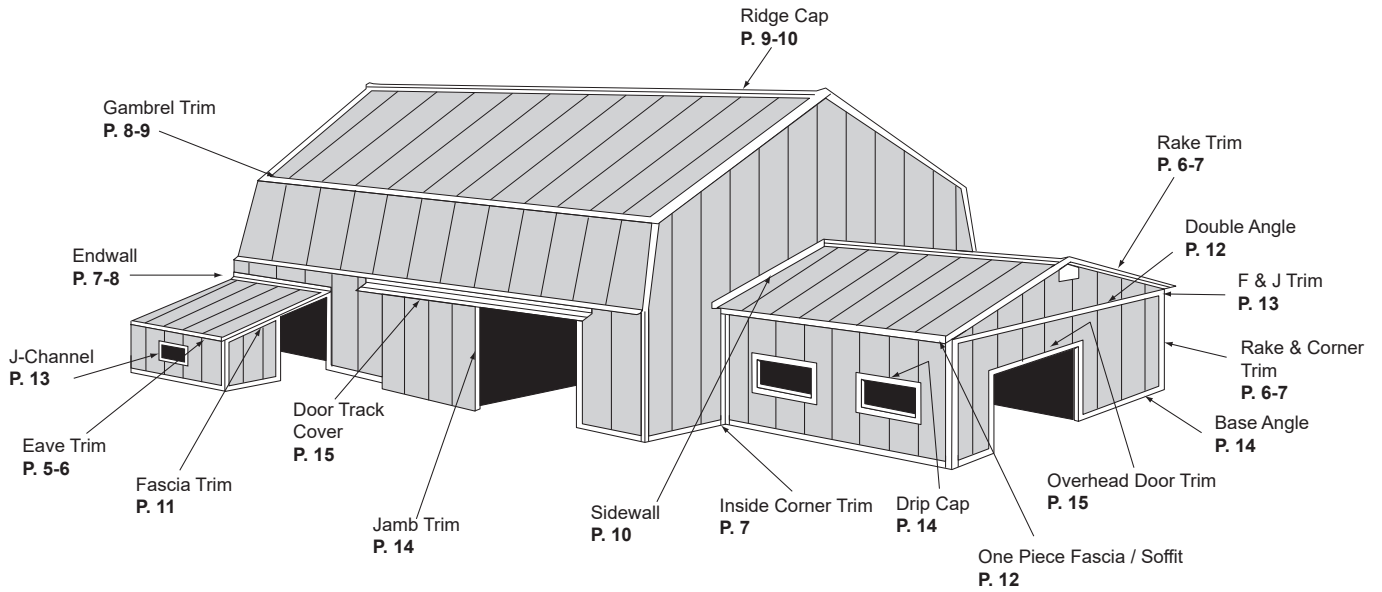
1. Break the shipping bands on the metal and wipe the sheets dry.
2. Store metal on end or on an incline of at least 8° with support bands underneath to prevent sagging.
3. Fan sheets slightly at the bottom to allow for air circulation.
4. Keep the sheets off the ground with an insulator such as wood.

BEFORE BEGINNING INSTALLATION OF THIS PRODUCT, READ OUR INSTALLATION INSTRUCTIONS

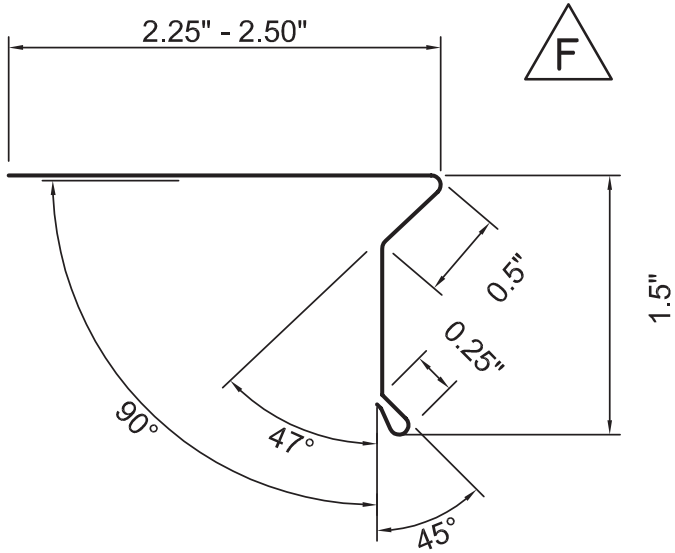
Trim Selector



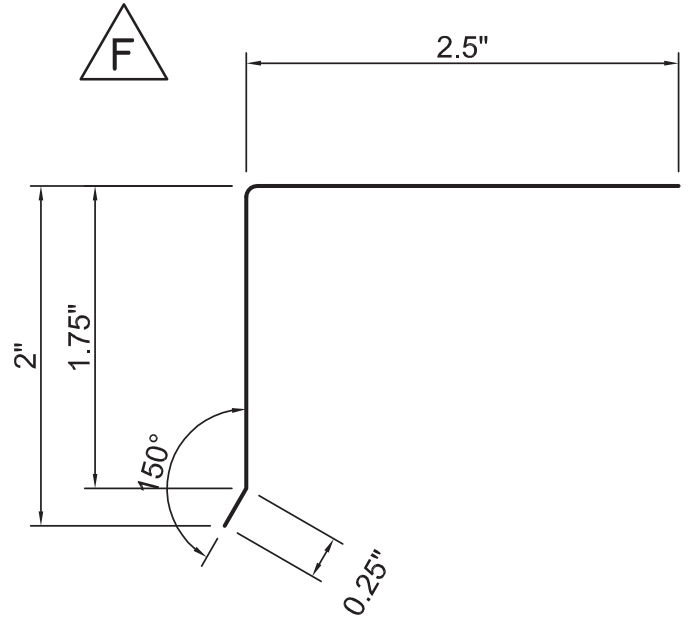
Your Roof. For Life!
On Time and Complete!™



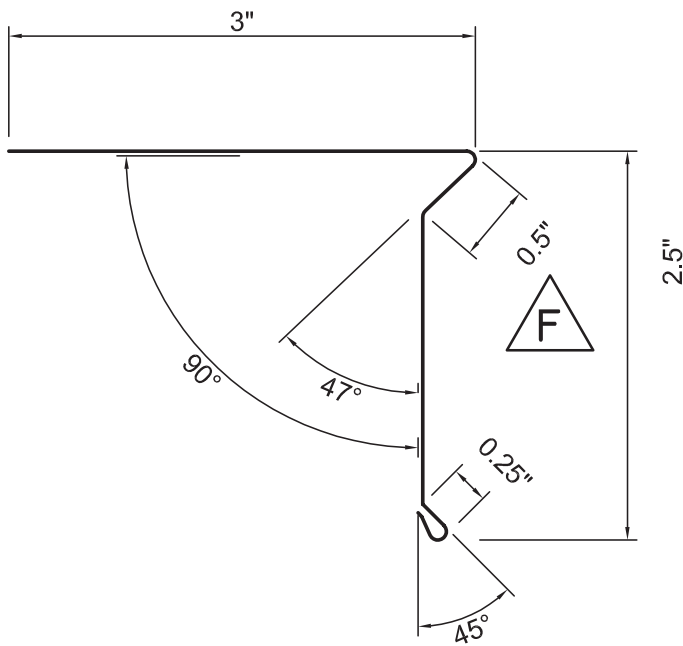
Trim



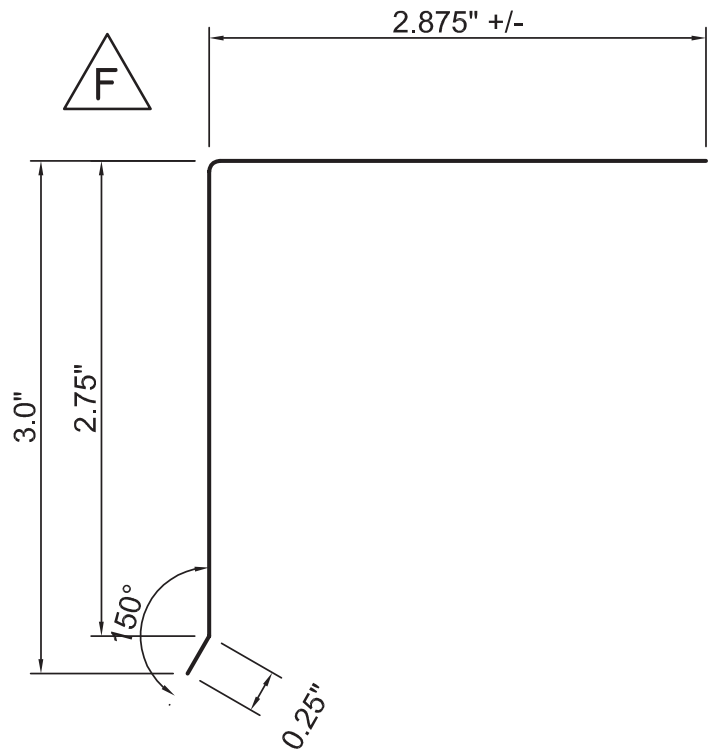
FT01 4.5" T-STYLE DRIP EDGE



FT03 DRIP EDGE 2" X 2"



FT02 6" T-STYLE DRIP EDGE

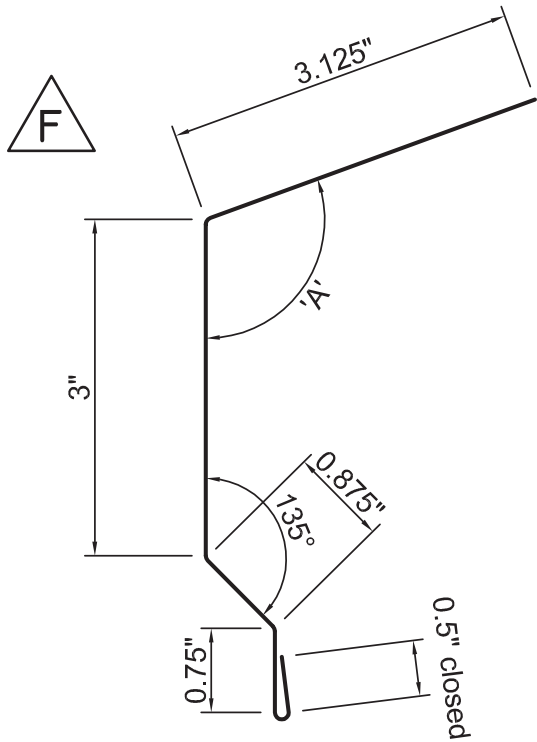


FT04 DRIP EDGE 3" X 3"

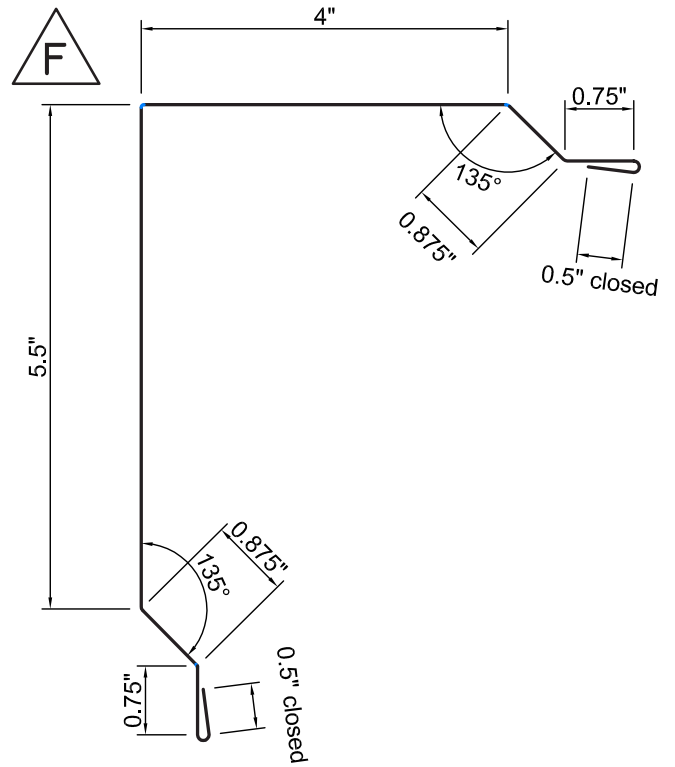
Trim



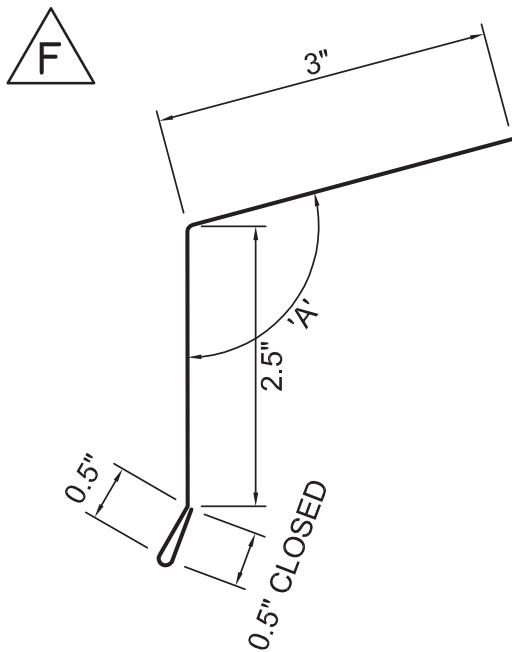
Your Roof. For Life!
On Time and Complete!™



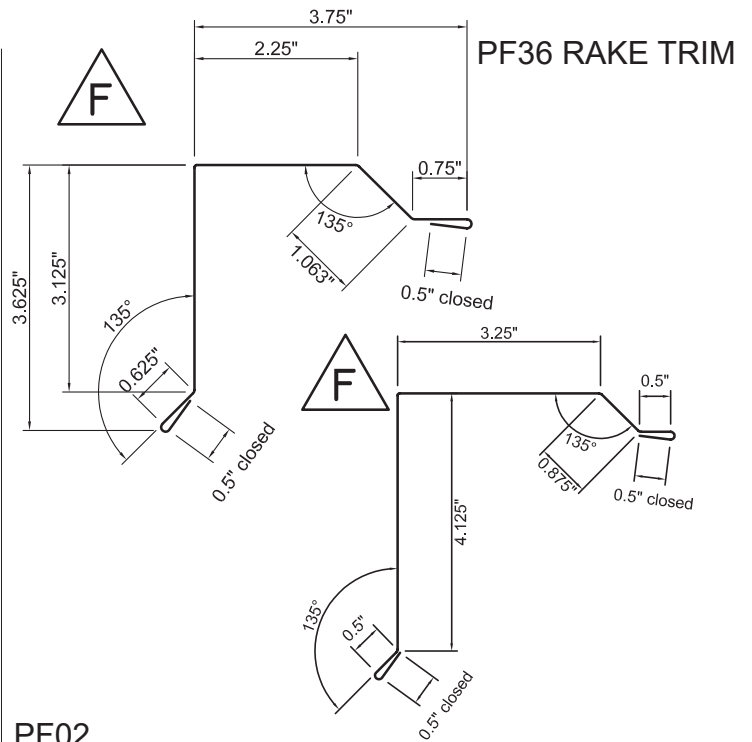
PF09 POST FRAME EAVE TRIM



PF03 POST FRAME RAKE TRIM

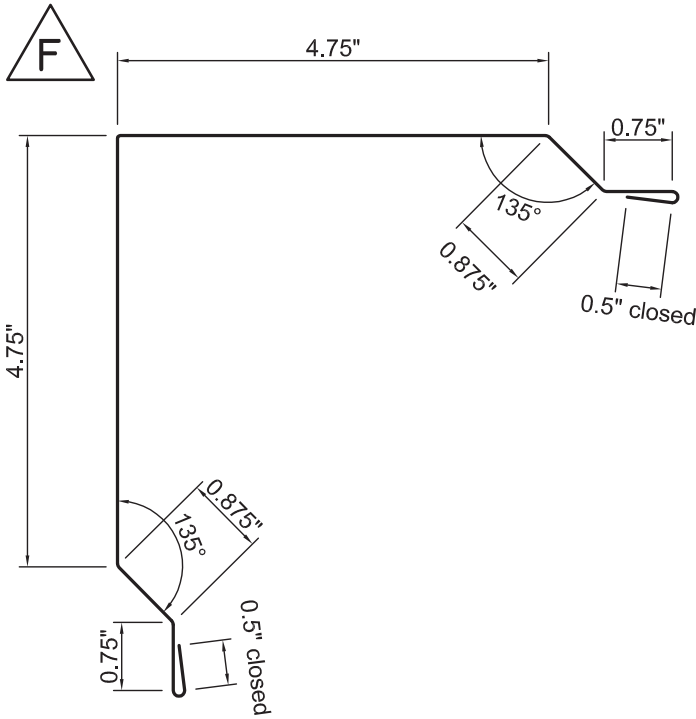


PF31 EAVE EDGE

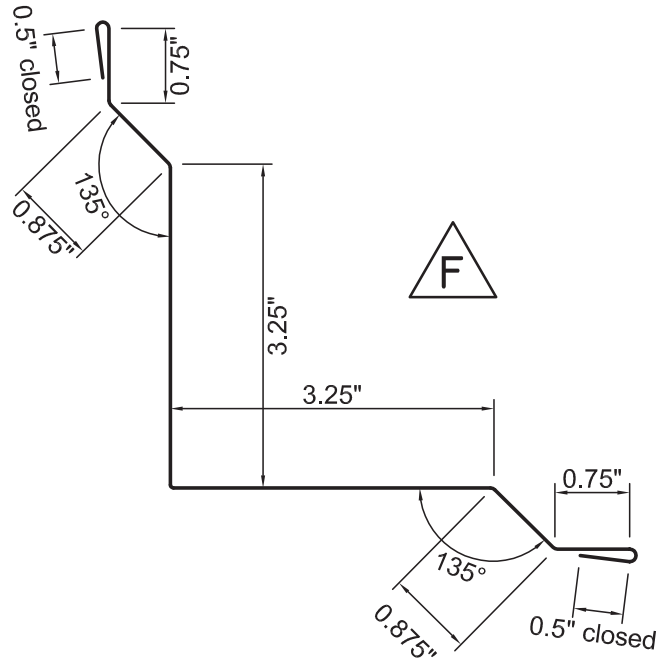


PF02
RESIDENTIAL RAKE

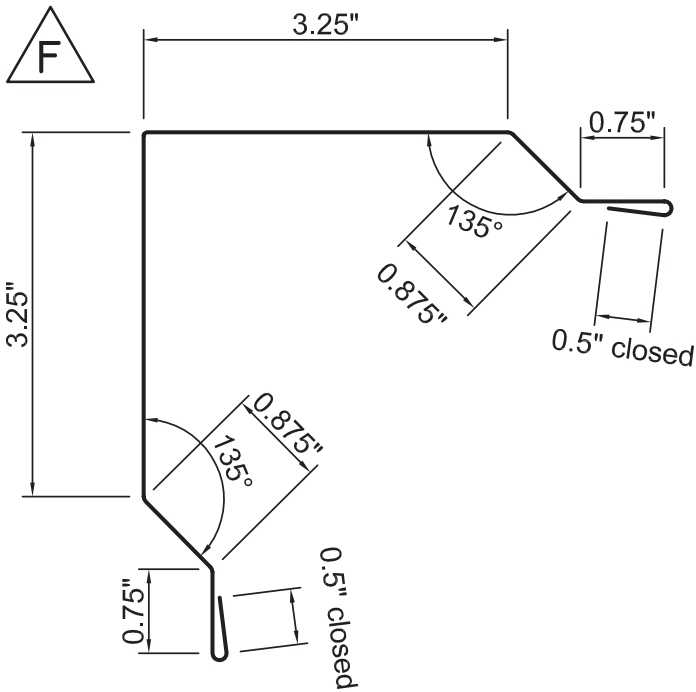
Trim



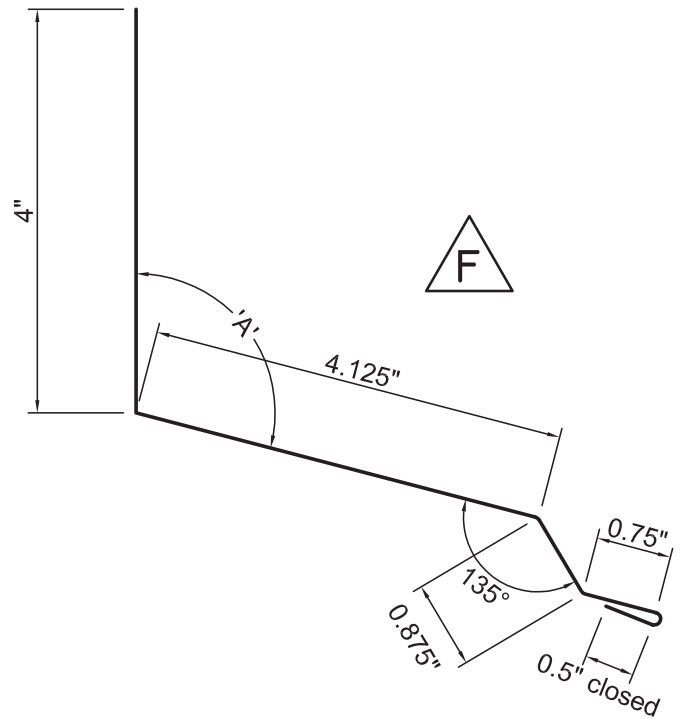
PF05 OUTSIDE CORNER TRIM



PF06 INSIDE CORNER TRIM



PF04 OUTSIDE CORNER TRIM

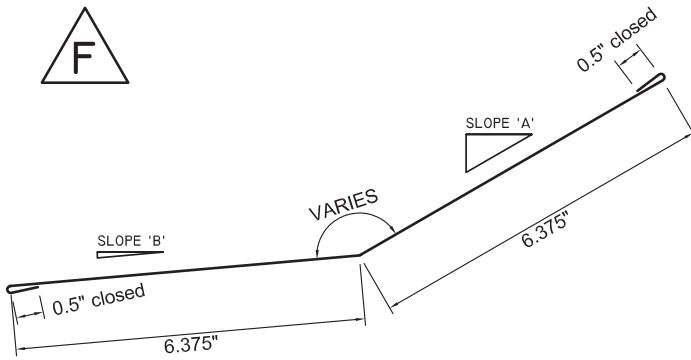


PF08 ENDWALL FLASHING

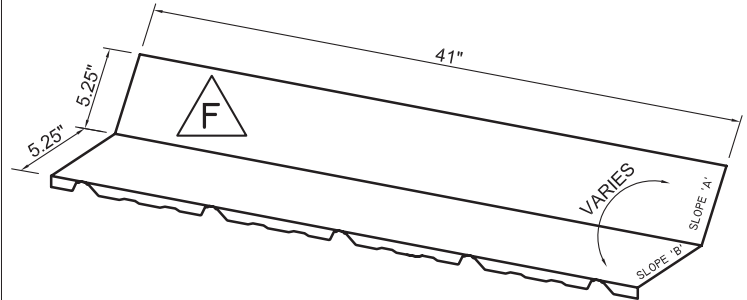
Trim



Your Roof. For Life!
On Time and Complete!™

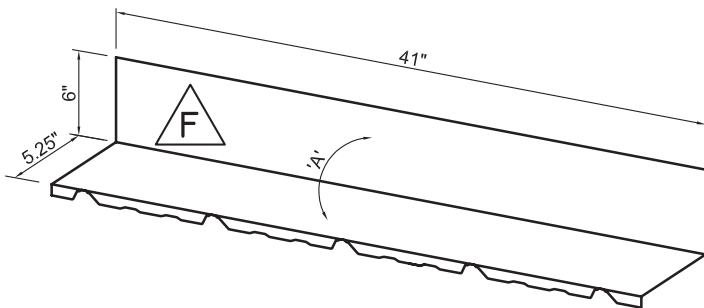


PF10 SLOPE TRANSITION FLASHING



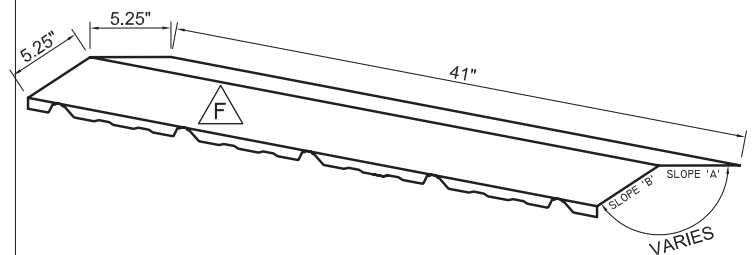
PF49 NOTCHED TRANSITION FLASHING*

**Not available at some locations.
Contact your local sales rep for more information.*



PF48 NOTCHED ENDWALL FLASHING*

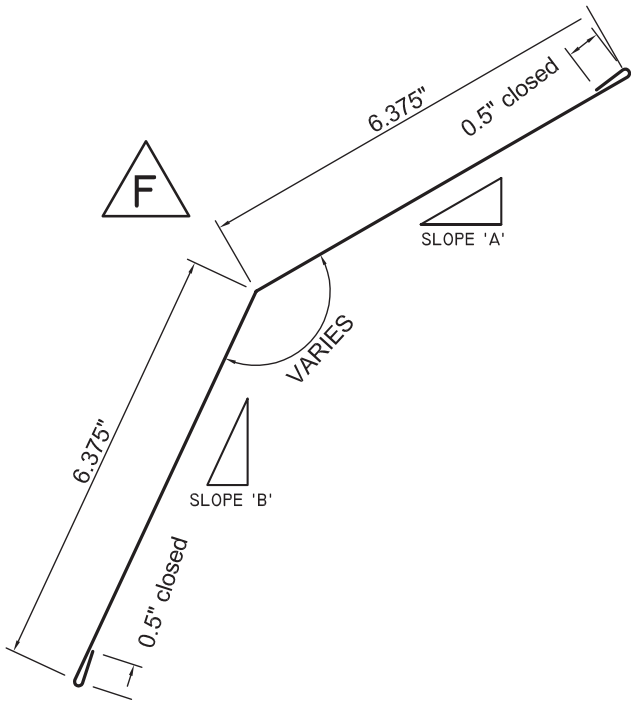
**Not available at some locations.
Contact your local sales rep for more information.*



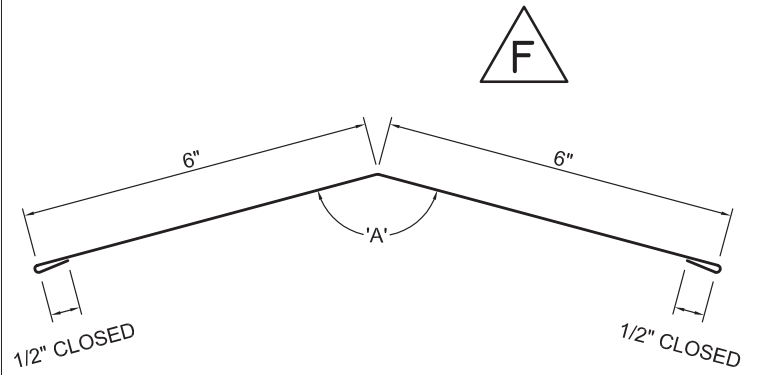
PF50 NOTCHED GAMBREL FLASHING

**Not available at some locations.
Contact your local sales rep for more information.*

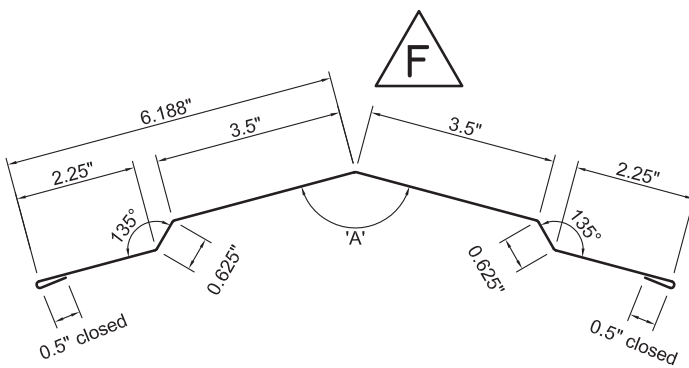
Trim



PF11 GAMBREL FLASHING



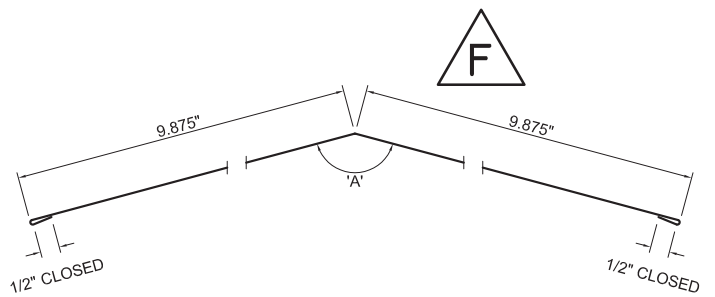
PF32 RIDGE/HIP CAP



PF34 RIDGE/HIP CAP

**Plant specific ridge cap.*

Contact your local sales rep for more information.

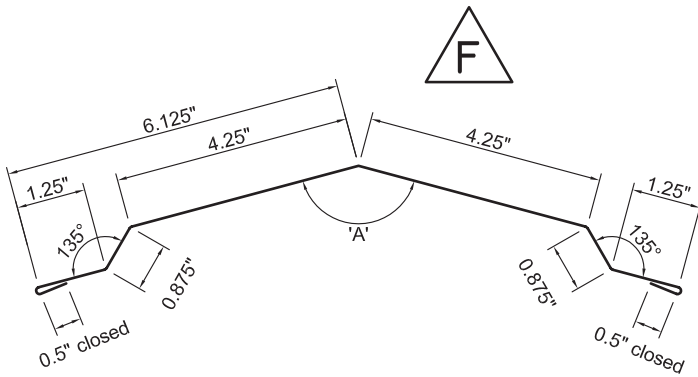


PF52 RIDGE/HIP CAP

Trim



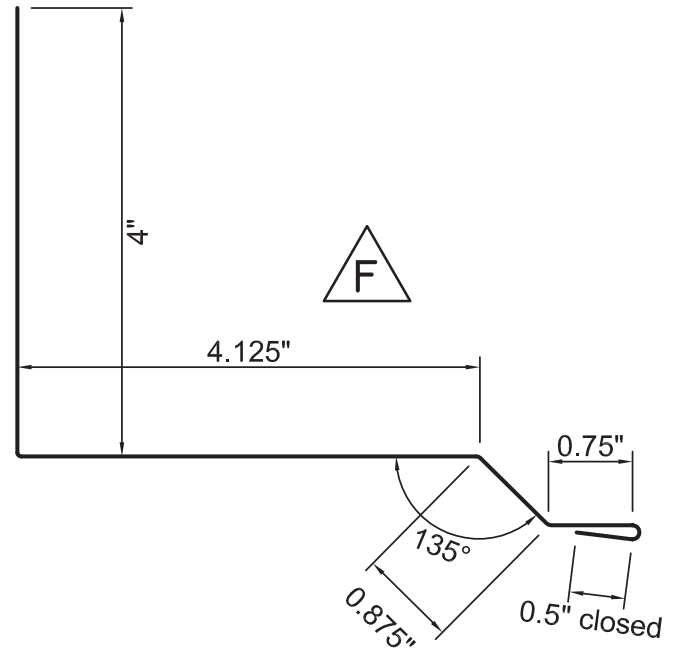
Your Roof. For Life!
On Time and Complete!™



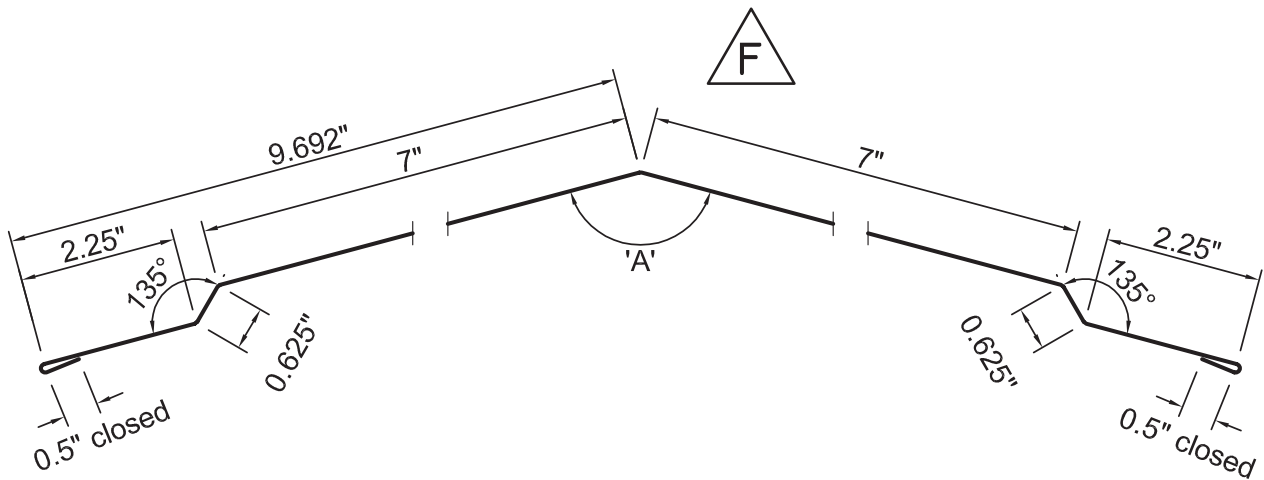
PF01 RIDGE/HIP CAP

**Plant specific ridge cap.*

Contact your local sales rep for more information.

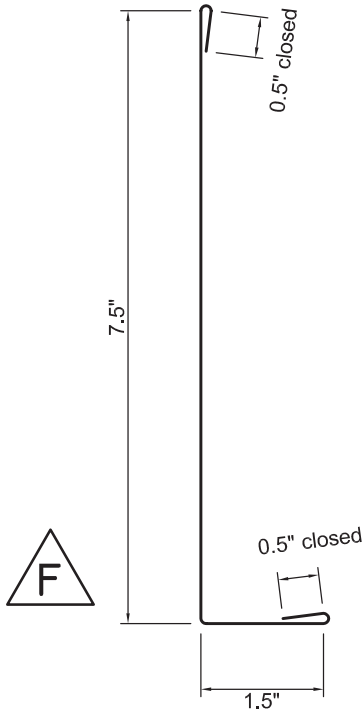


PF07 SIDEWALL FLASHING

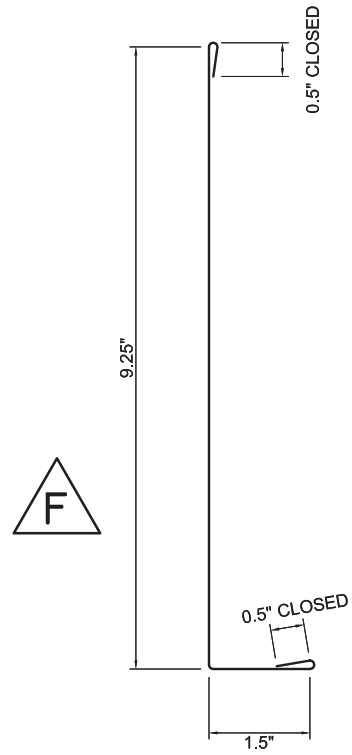


PF51 RIDGE/HIP CAP

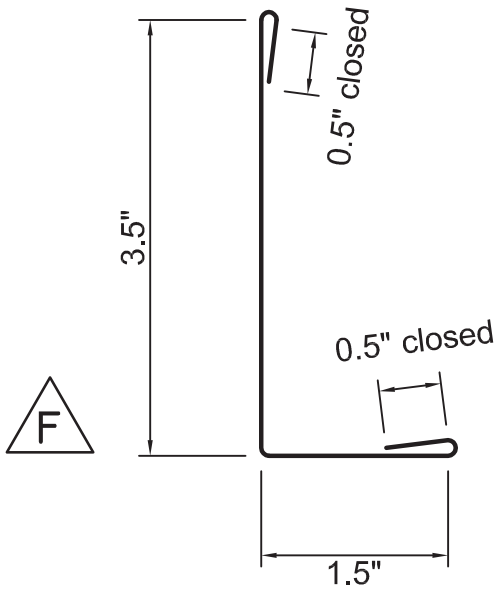
Trim



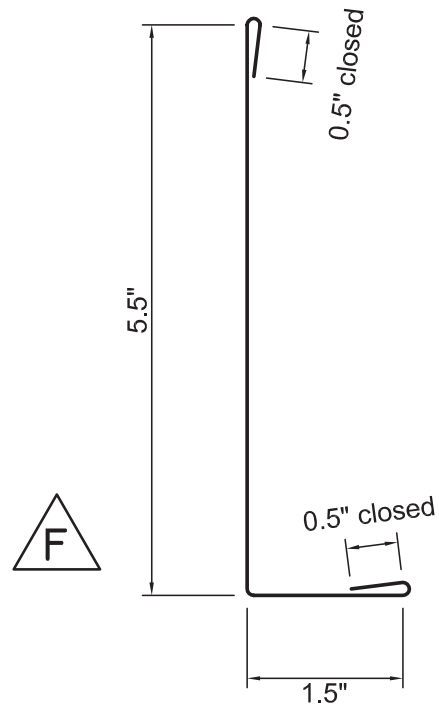
PF18 FASCIA COVER 7 ½"



PF39 9 ¼" FASCIA COVER



PF20 FASCIA COVER 3 ½"

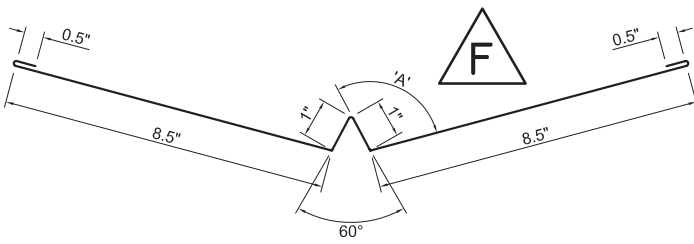


PF19 FASCIA COVER 5 ½"

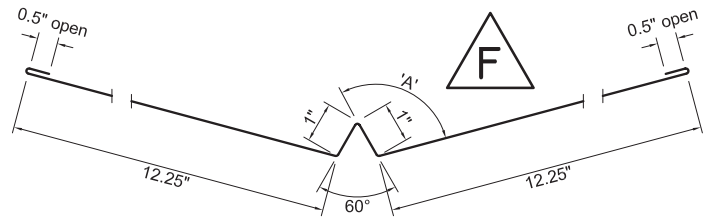
Trim



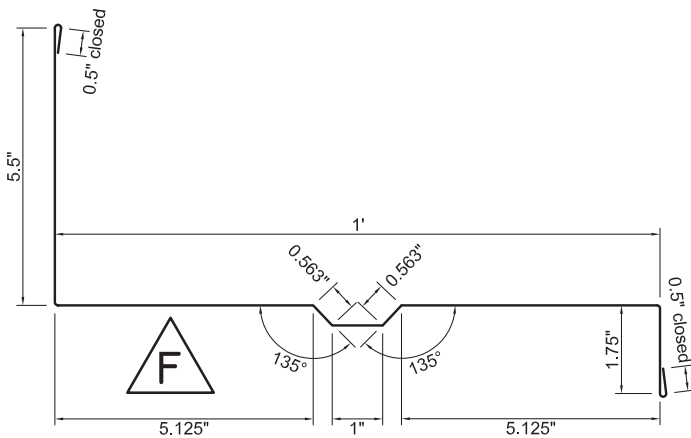
Your Roof. For Life!
On Time and Complete!™



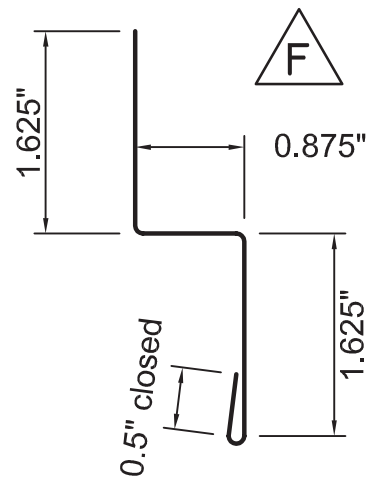
PF12 W-VALLEY FLASHING



PF47 W-VALLEY FLASHING, 12" X 12"

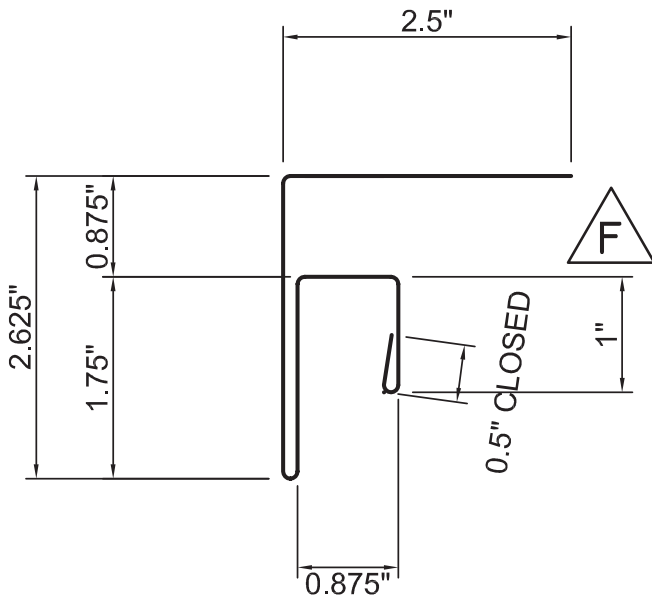


PF22 ONE-PIECE FASCIA AND SOFFIT

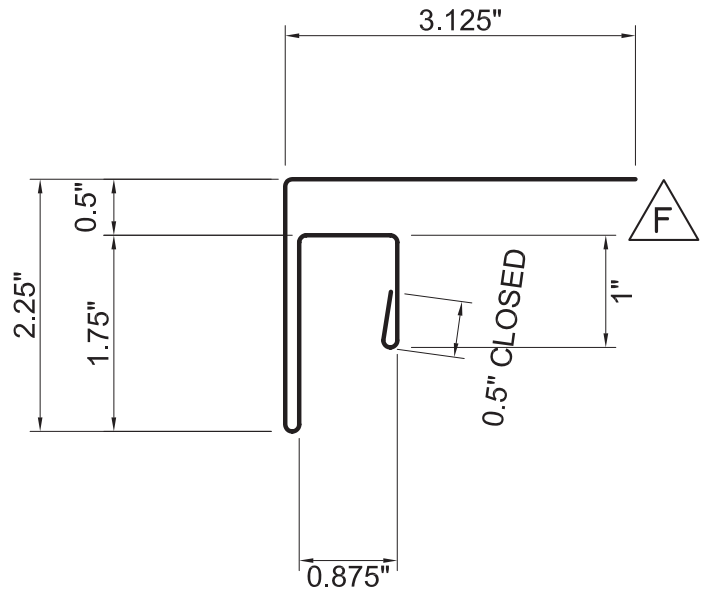


PF16 DOUBLE ANGLE FLASHING

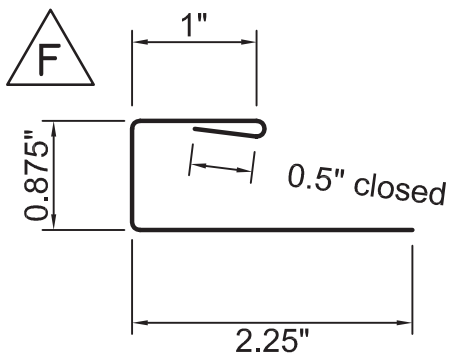
Trim



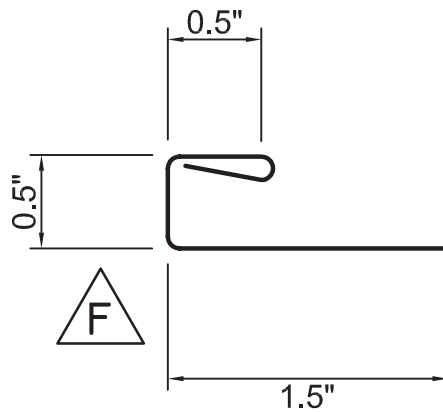
PF42 F AND J TRIM ($\frac{3}{4}$ " TO $\frac{3}{4}$ ")



PF55 F AND J TRIM ($\frac{1}{2}$ " TO $\frac{3}{4}$ ")



PF13 J-CHANNEL

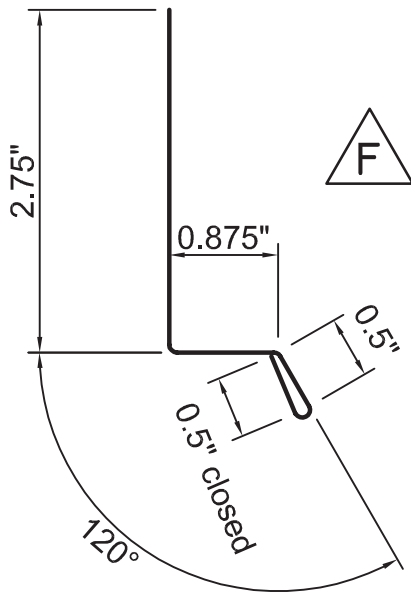


PF37 J-CHANNEL

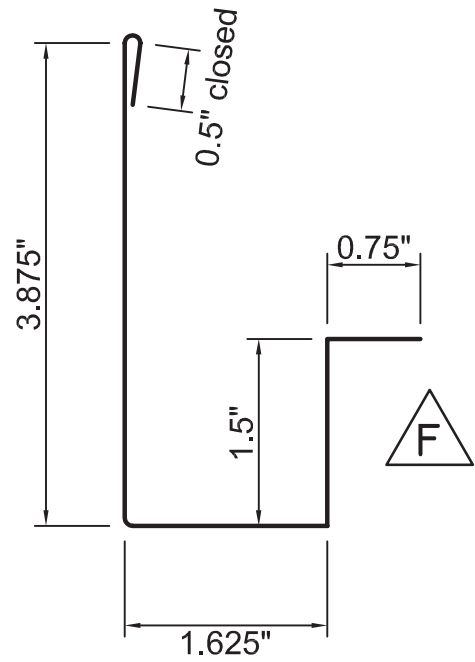
Trim



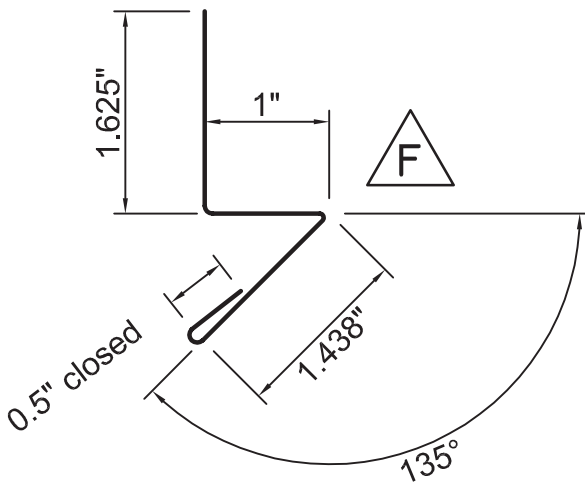
Your Roof. For Life!
On Time and Complete!™



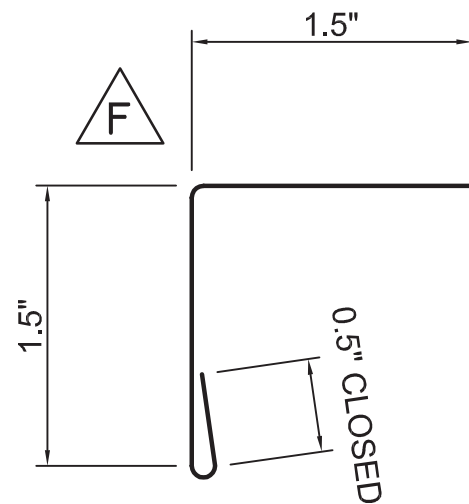
PF15 DRIP CAP



PF21 JAMB TRIM

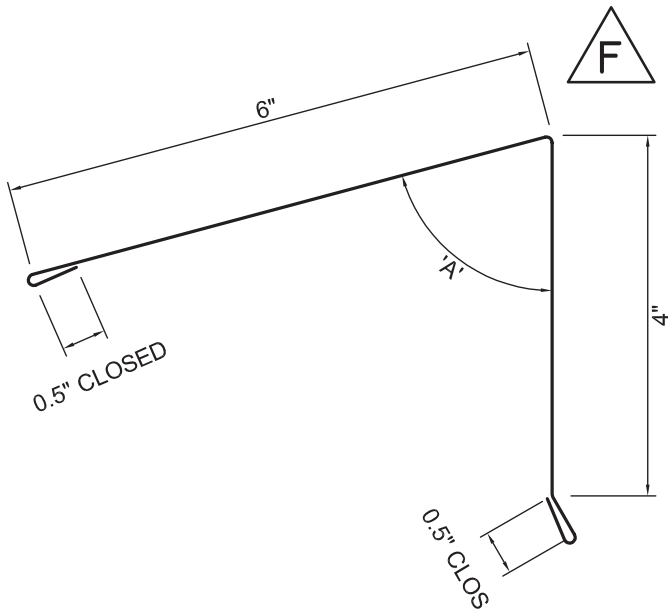


PF14 BASE ANGLE TRIM

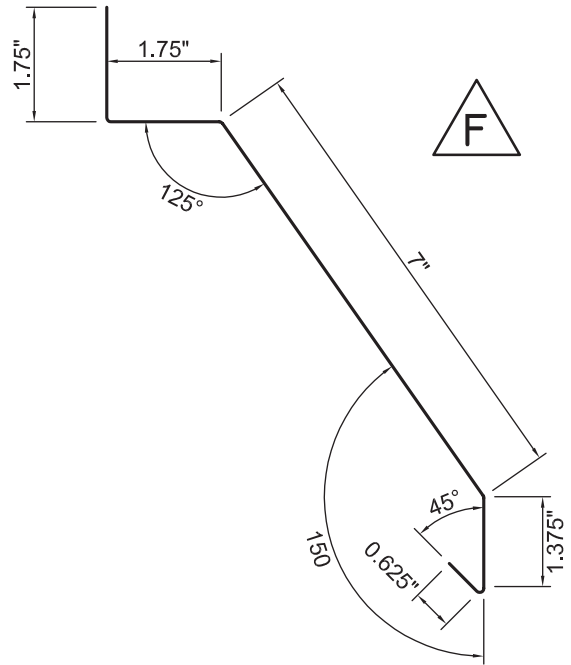


PF38 ANGLE TRIM

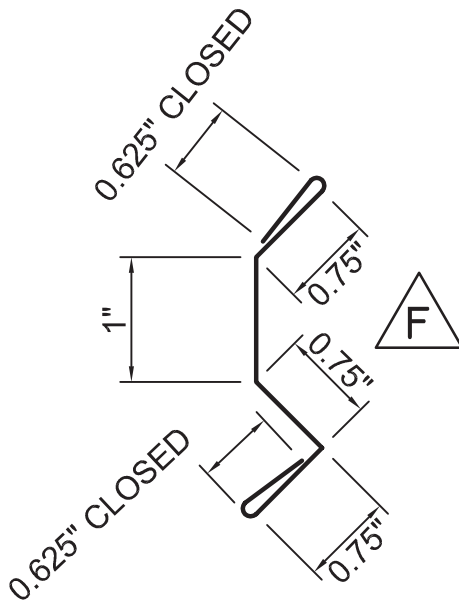
Trim



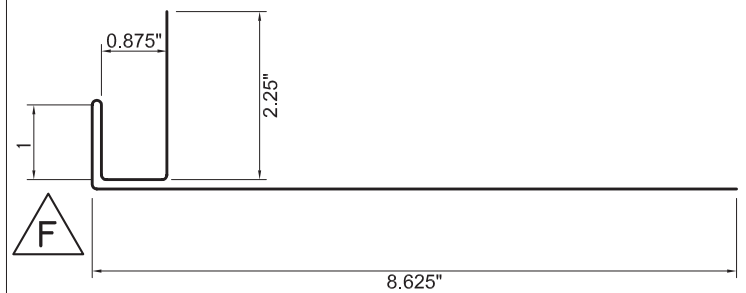
PF40 PEAK FLASHING



PF23 ROLLING DOOR TRACK COVER - CANNONBALL



PF33 SURFACE MOUNTED COUNTER FLASHING

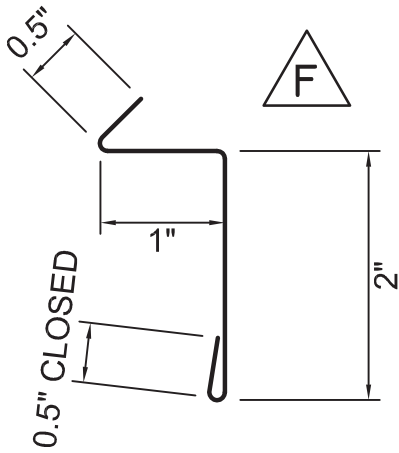


PF17 OVERHEAD DOOR TRIM

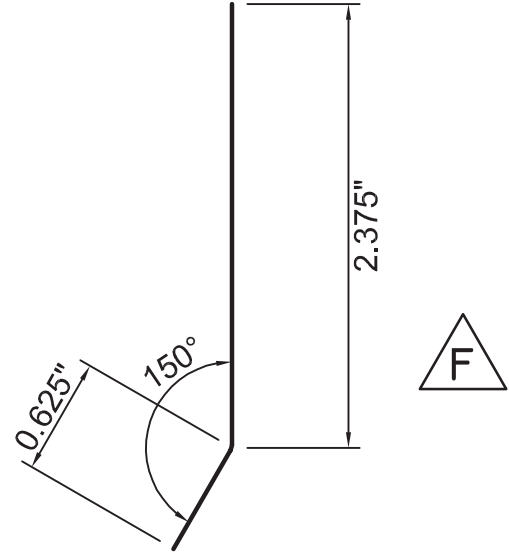
Trim



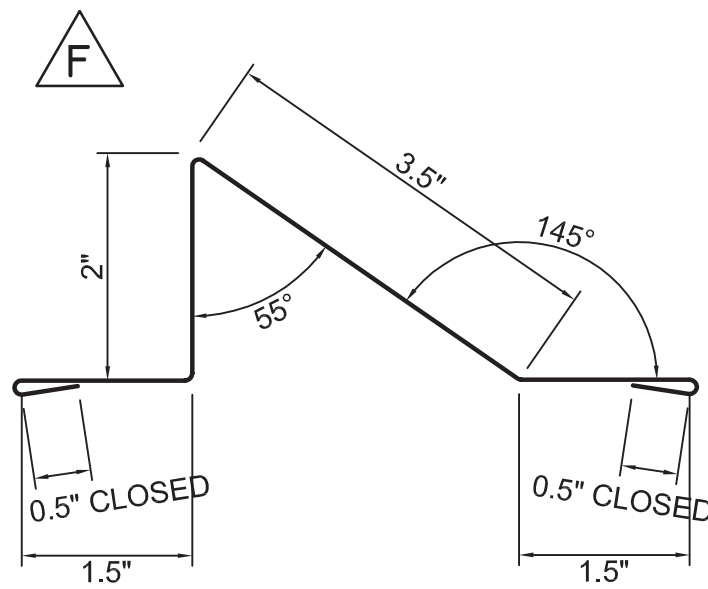
Your Roof. For Life!
On Time and Complete!™



PF35 REGLET FLASHING

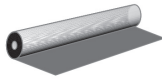


CLO1 CLEAT

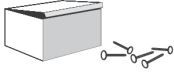


PF41 SNOW RAIL

Accessories



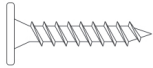
Repel™ Underlayment
(250 ft x 4 ft wide = 1,000 sf)



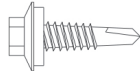
1 1/4" Galvanized Roofing Nails for Repel™
(5 lb. Box. Estimate 1 box per 15 squares)



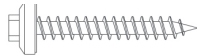
1" HWH Wood Screw
1 1/2" HWH Wood Screw
2" HWH Wood Screw
2 1/2" HWH Wood Screw
(250 pcs per bag)



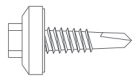
#10 x 1" pancake head wood screw
(250 pcs per bag)



#14 x 7/8" HWH Lap Tek Screw
(250 pcs per bag)



Ultimate 10-14 x 1 1/2" Wood Screw*
Ultimate 10-14 x 2" Wood Screw*
Ultimate 10-14 x 2 1/2" Wood Screw*
(250 pcs per bag)



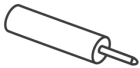
Ultimate #14 x 7/8" HWH Lap Tek Screw*
(250 pcs per bag)



Tape Sealant 3/8" x 45' Butyl Caulk Tape
(for panel side laps only)



Tape Sealant 7/8" x 40' Butyl Caulk Tape
(for panel side laps only)



Tube Sealant
(Geocel 2300 Tripolymer, clear)



Touch Up Paint (0.6 oz. Bottle w/ brush)



MasterRib Inside Foam Closure
(36" long)



MasterRib Outside Foam Closure
(36" long)



Emseal Expandable Closure, 1" x 1"
(19' per roll)



VersaVent Vented Closure
(10' per roll)



Pipe Penetration Boot #3
(Master Flash #3 fits 1/4" to 4" diameter)



Pipe Penetration Boot #6
(Master Flash #6 fits 5" to 9" diameter)



High Temp.

High Temperature Pipe Penetration #6
(Master Flash #6 fits 5" to 9" diameter)



Retrofit Pipe Penetration Boot (1RMF)
(Fits 1/4" to 4" diameter)



Retrofit Pipe Penetration Boot (2RMF)
(Fits 4" to 7" diameter)



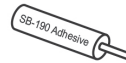
Valley Roll Metal 20" wide x 50 feet long



Flat Sheets 41 9/16" x 10 feet long



Snow Guard, 3 1/2" wide x 6" long
Clear, polycarbonate



SB-190 Snow Guard Adhesive
(estimate 1 tube per 8 to 10 guards)



Polycarbonate Panels, White and Clear.
8', 10', 12' lengths

* Ultimate screws are required for Lifetime Warranty

Cannonball Items



Your Roof. For Life!
On Time and Complete!™



Part # AC-CB-0101-230
Cannonball 6ft Key Hole Track

Part # AC-CB-0101-234
Cannonball 8ft Key Hole Track

Part # AC-CB-0101-203
Cannonball 10ft Key Hole Track

Part # AC-CB-0101-205
Cannonball 12ft Key Hole Track



Part # AC-CB-0101-254
Delrin Trolley 9 1/2 in Bolt

Part # AC-CB-0101-253
Delrin Trolley 6 1/2 in Bolt

Part # AC-CB-0101-252
Delrin Trolley 3 3/8 in Bolt



Part # AC-CB-0101-214
200 White Sliding Door Side Rail 8ft

Part # AC-CB-0101-210
200 White Sliding Door Side Rail 10ft

Part # AC-CB-0101-211
200 White Sliding Door Side Rail 12ft

Part # AC-CB-0101-212
200 White Sliding Door Side Rail 14ft

Part # AC-CB-0101-213
200 White Sliding Door Side Rail 16ft



Part # AC-CB-0101-226
216 White Center Double Couple 8ft

Part # AC-CB-0101-222
216 White Center Double Couple 10ft

Part # AC-CB-0101-223
216 White Center Double Couple 12ft

Part # AC-CB-0101-224
216 White Center Double Couple 14ft

Part # AC-CB-0101-225
216 White Center Double Couple 16ft



Part # AC-CB-0101-265
Face Mount Bracket No Cover

Part # AC-CB-0101-264
Face Mount Bracket For Cover



Part # AC-CB-0101-256
Delrin Adjustable Strap Trolley



Part # AC-CB-0101-294
Cannonball Splice Collar



Part # AC-CB-0101-258
Galvanized Door Pull

Part # AC-CB-0101-232
White Door Pull



Part # AC-CB-0101-263
Cannonball Track End Cap



Part # AC-CB-0101-301
Universal Double Track Bracket



Part # AC-CB-0101-285
Cannonball Adjustable Stay Roller



Part # AC-CB-0101-241
Adjustable Door Stop Galvanized /
2.75" to 4.25"



Part # AC-CB-0101-245
Cam Latch



Part # AC-CB-0101-248
Center Door Latch

Part # AC-CB-0101-300
Sliding Door Hardware Kit

- (2) Delrin Trolley 9 1/2" Bolt
- (2 pair) Cannonball Track End Cap
- (1) Cannonball Splice Collar
- (1) White Door Pull
- (12) Face Mount Bracket For Cover
- (1) Cannonball Adjustable Stay Roller
- (1) Adjustable Door Stop Galvanized / 2.75" to 4.25"



*Your Roof. For Life!
On Time and Complete!™*

unioncorrugating.com

888-685-7663

Corporate Headquarters

701 S. King St.
Fayetteville, NC 28301
888-685-7663

Morrison, TN

7747 Manchester Hwy
Morrison TN 37357
931-668-4393

Oklahoma City, OK

600 N. Sara Rd. Ste B
Yukon, OK 73099
866-373-5286

Janesville, WI

3920 Kennedy Rd.
Janesville, WI 53545
877-615-9812

Scranton, PA

100 Keystone0
Industrial Park Rd. Ste. 2B
Dunmore, PA 18512
570-383-2847

Vicksburg, MS

1463 Interplex Circle
Ceres Industrial Complex
Vicksburg, MS 39183
888-661-0577

Dayton, OH

625 N. Third St.
Tipp City, OH 45371
877-615-9812

Tifton, GA

3365 US Hwy 41 S.
Tifton, GA 31794
800-962-9131

Orange, VA

12435 James Madison
Orange, VA 22690
800-762-6785

Ocala, FL

490 Oak Rd.
Ocala, FL 34472
800-331-3584