



Your Roof. For Life.™

SL150 STANDING SEAM



Description

Standing seam panels have been used on traditional and contemporary homes and businesses for more than a century. Their clean, graceful lines have been an enduring favorite on a wide range of architecture. Our SL150 (formerly CSL) standing seam panel has 1.5" high snap locking ribs that exhibit a more knife-edge profile than our Advantage-Lok panel ribs. SL150 panels are attached to the roof deck with clips and are advantageous for applications requiring panel float or end-laps. SL150 is excellent for up-scale residential and commercial applications.

Gauges

- 26, 24

Finish Options

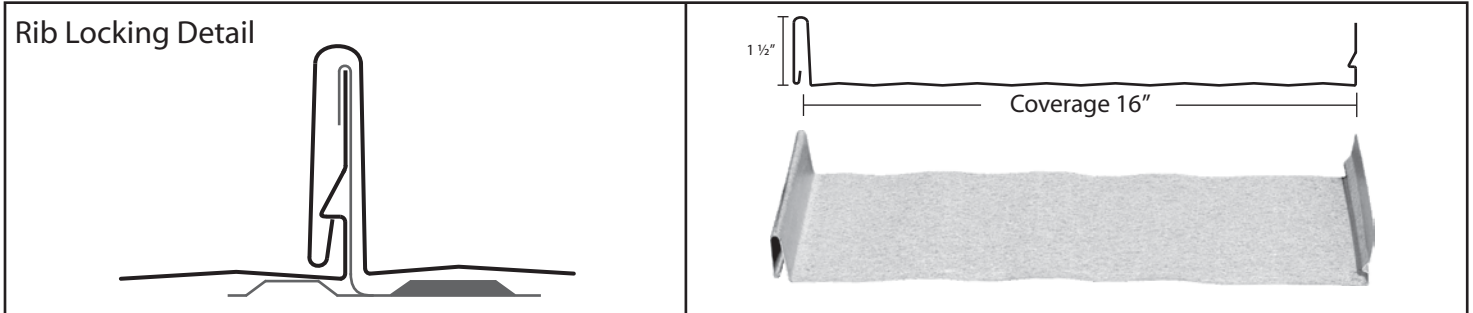
- 24 ga panels use PVDF (Kynar) paints
- 26 ga panels use Siliconized Modified Polyester paints
- Energy Star Certified Colors available
- Unpainted Galvalume®

Approvals and Certifications

- Florida Building Code High Velocity Hurricane Zone Approved (Covers Miami-Dade Approval)
- Energy Star Certified
- Highest UL Ratings for Wind Uplift, Fire, and Impact Resistance
- Metal Construction Association Certified



PANEL DETAILS

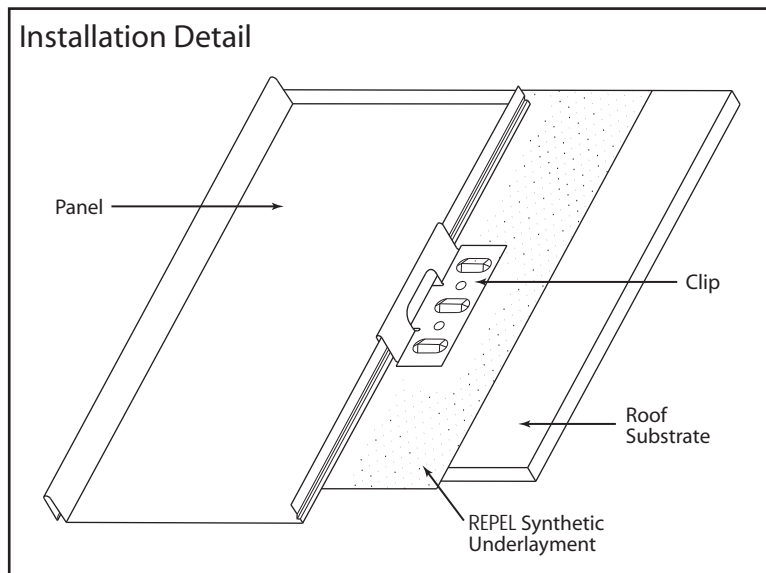


CERTIFICATIONS & TESTING

- Florida Building Code High Velocity Hurricane Zone Approval #FL 9443.1
- UL 580 - Construction No: 589
- UL Class 4 Impact
- ASTM 331
- ASTM E-330
- ASTM 1592
- ASTM 283

INSTALLATION

SL150 panels are installed with clips that attach to the roof deck with pancake head wood-screws. Once the first panel is secured with clips, the overlapping panel ribs snap over the top of the clip thereby concealing the clip and locking both panels in place. No rib crimping tools are required. SL150 panels should be installed on a solid deck with a minimum slope of 3:12.



BEFORE BEGINNING INSTALLATION OF THIS PRODUCT, CHECK LOCAL BUILDING CODES.